

# 1-Channel RS-485/422 to TCP/IP Server



- 1~4\*10/100BASE-T(X) RJ45 ports;
- 1\*RS-485/422 ports;
- Serial port communicate on Ethernet, support TCP Server, TCP Client, UDP mode;
- High strength IP40 shell and industrial-grade EMC design;
- Support 12~48VDC power input;
- Support DIN-Rail Mounting;
- Operating temperature range: -40~85°C, suitable for industrial environment applications.

## Product Overview

The 1-channel RS-485/422 serial server adopts high-strength IP40 protective casing, industrial-grade EMC design, support Auto-Negotiation Adaptive Technology, provide a comprehensive LED status indicator, support voltage 12~48V DC power input to increase the reliability of the communication network. Provide 1~4 10/100Base-T (x) RJ45 port and 1-channel RS-485/422 serial port, can disperse the serial equipment, the host and so on through the network simple, convenient centralized management, the communication rate support 110~115200bps optional. Based on industrial installation requirements, the installation mode of DIN35 guideway is provided. This product adopts the industry's excellent network program, -40~85°C working temperature range, can satisfy all kinds of industrial site requirements, provide convenient serial port communication solutions.

## Features

- Conform to IEEE802.3/802.3u standard, store and forward Exchange Mode;
- Provide 1~4 10/100Base-T (x) RJ45 Ethernet interface, support Auto-Negotiation technology, automatic negotiation work rate (10M/100M) and duplex mode (half duplex/ full duplex), MDI/MDI-X Adaptive;
- Provide 1 channel RS-485/422 serial port, provide TCP server, TCP client, UDP three serial transmission mode, 110~115200bps line speed non-blocking communication;
- Conforms to TCP, IP, UDP, ARP, ICMP, HTTP, and TFTP client protocols;
- Support Web management;
- Support serial port settings, can be connected through the network two serial devices for serial data transmission;
- Supports gateway, cross-routing communication;
- low-power consumption design;
- Metal housing with IP40 and high level EMC protection
- Support wide range voltage 12~48V DC power input and over-current protection function;
- Work in -40~85°C wide temperature.

## Specification

### Technical Standard

- Protocol: IEEE802.3,IEEE802.3u

### Interfaces

- RJ45 port: 10/100BASE-T(X) auto-Negotiation speed, auto duplex mode and MDI/MDI-X connection;
- Serial port: RS-422 support RX-, RX+, TX-, TX+ full duplex working mode; RS-485 supports A and B half-duplex working mode; RS-485/422 Communication

rate support 110~115200bps optional.

### Exchange Property

- Ten trillion forwarding speed:14881pps;
- Fast forwarding speed:148810pps;
- Transmission way:store-and-forward;
- Switching bandwidth:0.8Gbps;
- Buffer memory size:1Mbits;
- MAC address table:1K.

### Serial Port Attribute

- Standard: RS-485/422;
- RS-422 signal: TX+, TX-, RX+, RX-, GND;
- RS-485 signal: D+, D-, GND;
- Check digit: None, Even, ODD;
- Data bits: 5bit, 6bit, 7bit, 8bit;
- Stop bit: 1bit, 2bit;
- Baud rate: 110~115200bps;
- Directional control: RS-485 adopts data flow control technology;
- Load capacity: RS-485/422 side supports 32 point polling environment (customizable 128 points);
- Interface form: RS-485/422 and adopts 5-bit 5.08mm spacing terminal;
- Interface protection: 1000V surge protection.

### Indicator Lamp

- Power indicator: PWR;
- System running indicator: SYS;

- Serial port data status indicator: COM.

### Power Supply

- Input: Wide DC power input 12~48VDC (12V/24V/48V typical) with 7.62mm industrial power terminal;
- No-load Consumption:< 1.2W (@24VDC) ;
- Full-load Consumption:< 1.68W (@24VDC) .

### Mechanical Properties

- Dimension(W×H×D): 40mm×128mm×102mm;
- Net weight: 300g;
- Housing: Metal, IP40 protection;
- Installation: DIN rail mounting.

### Operating Environment

- Working temperature:-40℃~85℃;
- Storage temperature: -40℃~ 85℃;
- Relative humidity: 5% ~ 95% (no condensing) .

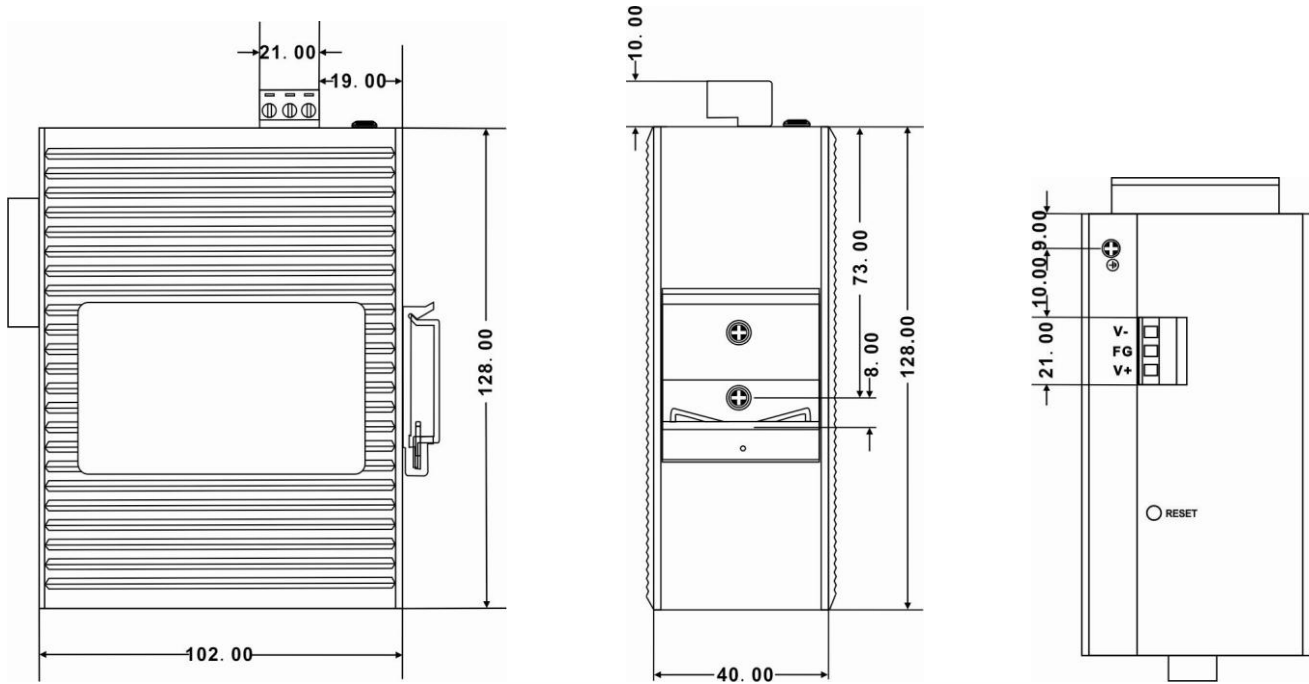
### Warranty

- Warranty: 5 years.

## Standards and Certifications

- IEC61000-4-2(ESD):±8KV Contact, ±15KV Air
- IEC61000-4-3(RS):10V/M(80-1000MHZ)
- IEC61000-4-4(EFT):Power ±4KV, Ethernet&Serial Data Cable ±2KV
- IEC61000-4-5(Surge):Power ±4KV CM/ ±1KV DM, Ethernet Data Cable±4KV CM,Serial Data Cable±1KV CM
- IEC61000-4-6(CS):3V (10KHZ-150KHZ), 10V (150KHZ-80MHZ)
- IEC61000-4-16(MS):30V COUNT 300V, 1S
- IEC60068-2-6(Vibration)
- IEC60068-2-27(Shock)
- IEC60068-2-32(Free Fall)
- IEC61000-6-2(General Industrial Standard)

## Dimensions(mm)



## Models

Model	Description
SE5011	1-channel RS-485/422 serial port server, 1*10/100Base-T(X) RJ45 port, 1-channel RS-485/422 serial port, -40°C~85°C.
SE5041	1-channel RS-485/422 serial port server, 4*10/100Base-T(X) RJ45 port, 1-channel RS-485/422 serial port, -40°C~85°C.

## Package List

- 1-channel RS-485/422 to TCP/IP Server
- Product Manual
- Product Warranty