

20-Port Unmanaged Ethernet Switch



- 16*100M RJ45 ports, Auto-Negotiation speed, auto Full/Half Duplex Mode, auto MDI/MDI-X connection
- 0~4*100M full Duplex fiber ports, Default SC port, FC/ST optional, max to 120km
- High strength metal shell with IP40 protection, EMC industrial level 4 supported
- Wide range voltage redundant dual inputs, full-load power consumption < 8W
- DIN-Rail Mounting supported
- Operating temperature range: -40~85°C, suitable for industrial environment

Product Overview

20-Port Unmanaged Ethernet Switch is designed with IP40 protection metal housing, and supports EMC industrial level 4, redundant dual inputs with wide range voltage, 16*10/100BaseT(X) RJ45 ports and 0~4*100BaseFX fiber ports combined flexibly. Based on industrial installation requirements, the installation mode of DIN35 guide way is provided. This product adopts the industry's excellent network program, -40~85°C working temperature range, can satisfy all kinds of industrial site requirements, provide convenient Ethernet port communication solutions.

Features

- IEEE802.3/802.3u, store-and-forward switching
- 16*10/100BaseT(X) RJ45 ports, Auto-Negotiation speed(10M/100M),auto Duplex mode and MDI/MDI-X connection
- 0~4*100BaseFX 100M full Duplex fiber ports (default SC port, FC/ST optional), max to 120km
- Metal housing with IP40 protection and EMC industrial level 4
- Wide range power voltage with 12~48V DC inputs
- Work in -40~85°C wide temperature

Specifications

Technical Standard

- Protocol: IEEE802.3, IEEE802.3u

Interfaces

- RJ45 port: 10/100BaseT(X)auto negotiate speed, Full/Half Duplex, MDI/MDI-X connection
- Fiber port: 100BaseFX 100M full Duplex (default SC port, FC/ST optional), max to 120 km
- Power: Dual inputs, 2 pluggable four pins power terminal

Exchange Property

- Ten trillion forwarding speed:14881pps
- Fast forwarding speed:148810pps
- Transmission way:Store-and-forward.
- Switching bandwidth:4Gbps
- Buffer memory size:4Mbits
- MAC address table:16K

Power Requirements

- Dual redundant inputs with wide range voltage (12~48V DC), typical 12V/24V/48V
- Full load power consumption < 7.2W (@24VDC)

Physical Characteristics

- Dimensions (W×H×D): 75.4mm×168.4mm×125.5mm
- Weight: 1050 g
- Housing: Metal, IP40 protection
- Installation: DIN rail mounting

Environment Limits

- Work Temp.: -40°C~85°C
- Storage Temp.: -40°C~85°C
- Relative Humidity: 5%~95% (non-condensing)

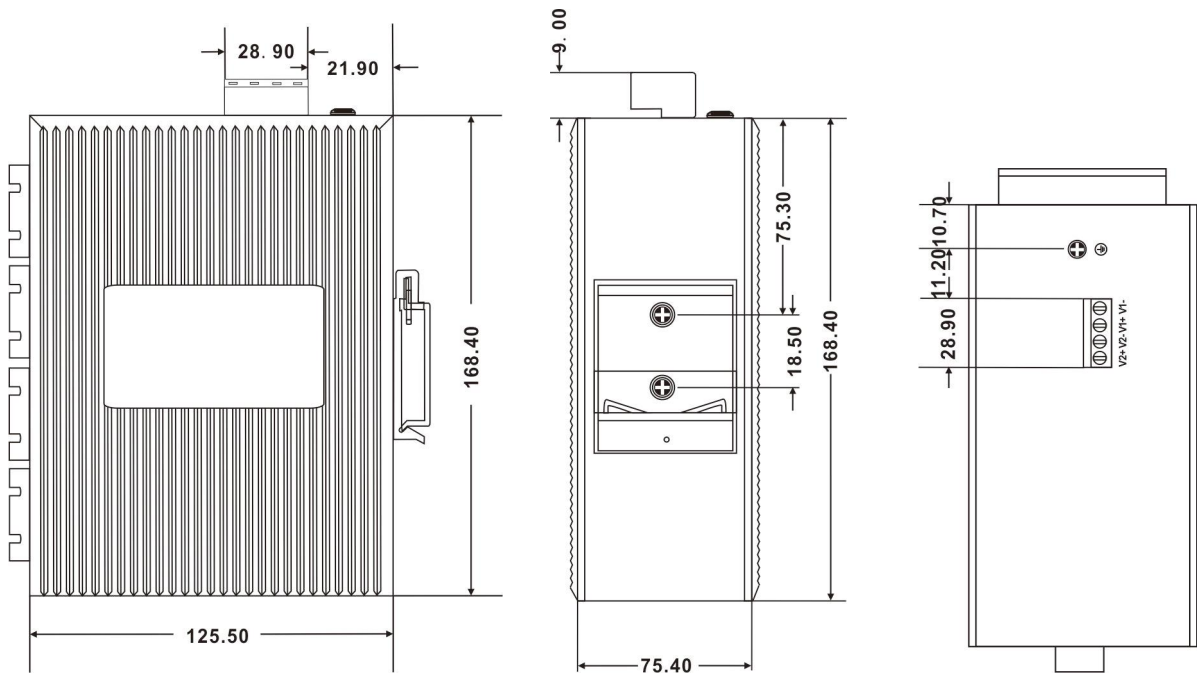
Warranty

- Warranty Period: 5 years

Standards and Certifications

- IEC61000-4-2(ESD): power cable:±8KV contact, ±15KV atmosphere ;data cable: ±4KV contact, ±15KV atmosphere
- IEC61000-4-3(RS): 10V/m (80-1000MHZ)
- IEC61000-4-4(EFT): power cable ±2KV, data cable ±2KV
- IEC61000-4-5(Surge): power cable ±2KV CM/±1KV DM, data cable: ±4KV
- IEC61000-4-6(CS): 3V (10KHZ-150KHZ), 10V (150KHZ-80MHZ)
- IEC61000-4-16(CM): 30V COUNT 300V, 1S
- IEC60068-2-6 (Vibration)
- IEC60068-2-27(Shock)
- IEC60068-2-32(Free Fall)
- IEC61000-6-2(Industry)

Dimensions(mm)



Models

Model	Specs
Ck4016	16*10/100BaseT(X) RJ45 ports, DIN35 rail mounting.
Ck4016-2FX	16*10/100BaseT(X) RJ45 ports, 2*100BaseFX fiber port, single-mode/multi-mode, DIN35 rail mounting.
Ck4016-4FX	16*10/100BaseT(X) RJ45 ports, 4*100BaseFX fiber port, single-mode/multi-mode, DIN35 rail mounting.

Package List

- 20-Port Unmanaged Industrial Ethernet Switch with industrial power terminal
- Product Manual
- Product Warranty